



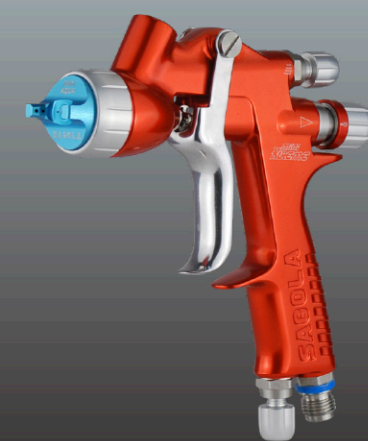
**4600 Xtreme**  
HS



**4600 Xtreme**  
WATER



**3300 GTO**  
PRIMERS



**mini Xtreme**  
SPOT REPAIR

UV-A  
Primer-Surfacer

UV-A  
PRIMER-SURFACER



Non-sanding  
Surfacer

Non-Sanding Primer-Surfacer  
NS2602  
NS2607



HS Surfacer

Low emission Surfacer Plus  
LE2001/2004/2007  
High Productive Surfacer  
1051R/1057R  
Cromax Pro Surfacer  
PS1061/1064/1067



Ultra Performance  
Energy Surfacer  
PS1081  
PS1084  
PS1087



Non-sanding  
Surfacer

Ultra Performance  
Non-sanding Surfacer  
NS2081  
NS2084  
NS2087



Waterborne  
basecoat

WB1031  
**CROMAX®**  
PRO Basecoat **CROMAX®**  
Basecoat



Single  
stage

**CENTARI®**  
5035



HS Clearcoats

ChromaClear® VOC  
38005  
Ultra Productive  
VOC Clear  
37505  
37605



VOC Protect Clear  
CC6300  
Standard VOC Clear  
CC6400  
Chromax® Pro Star Clear  
CC6600



High Performance VOC Clear  
CC6500



Ultra Performance  
Energy Clear  
CC6700



Nozzle  
1.3XL - 1.4  
Air Cap  
DVR CLEAR  
Max. Pressure  
2,0 bar

Nozzle  
1.2  
Air Cap  
EPA  
Max. Pressure  
1.8 - 2.0 bar

Nozzle  
1.4 - 1.6  
Air Cap  
EVO  
Max. Pressure  
2.0 - 2.5 bar

Nozzle  
1.2 - 1.0  
Air Cap  
MINI Aqua  
Max. Pressure  
1.5 - 2.0 bar

Nozzle  
1.6 - 1.8  
Air Cap  
EPA  
Max. Pressure  
1.8 - 2.0 bar

Nozzle  
1.4 - 1.6  
Air Cap  
EPA  
Max. Pressure  
1.8 - 2.0 bar

Nozzle  
1.4 - 1.6  
Air Cap  
EPA  
Max. Pressure  
1.8 - 2.0 bar

Nozzle  
1.2 - 1.3  
Air Cap  
DVR AQUA  
Max. Pressure  
2.0 bar

Nozzle  
1.0  
Air Cap  
MINI Aqua  
Max. Pressure  
1.2 - 1.5 bar

Nozzle  
1.3 - 1.3XL  
Air Cap  
DVR CLEAR  
Max. Pressure  
2.0 - 2.2 bar

Nozzle  
1.2 - 1.0  
Air Cap  
MINI Aqua  
Max. Pressure  
1.5 - 2.0 bar

Nozzle  
1.2 - 1.3  
Air Cap  
DVR CLEAR  
Max. Pressure  
2.0 - 2.4 bar

Nozzle  
1.2 - 1.0  
Air Cap  
MINI Aqua  
Max. Pressure  
1.5 - 2.0 bar

Nozzle  
1.2 - 1.3  
Air Cap  
DVR CLEAR  
Max. Pressure  
2.0 - 2.2 bar

Nozzle  
1.2 - 1.0  
Air Cap  
MINI Aqua  
Max. Pressure  
1.5 - 2.0 bar

Nozzle  
1.2 - 1.3  
Air Cap  
DVR CLEAR  
Max. Pressure  
2.0 - 2.2 bar

Nozzle  
1.2 - 1.0  
Air Cap  
MINI Aqua  
Max. Pressure  
1.5 - 2.0 bar

Nozzle  
1.2 - 1.3  
Air Cap  
DVR CLEAR  
Max. Pressure  
2.0 - 2.2 bar

Nozzle  
1.2 - 1.0  
Air Cap  
MINI Aqua  
Max. Pressure  
1.5 - 2.0 bar