

SAGOLA ®

Professional spray gun
2 models for multiple applications

3300
GTO



w w w . s a g o l a . c o m

THE NEW 3300 GTO SPRAYGUN

SAGOLA renews and improves the mid-high range of spray guns. The **New 3300 GTO**, is the result of the fusion of two of the most renowned products: **3300 PRO** (industry) and **4100 GTO** (bodyshop).

Its **new forged body** and **more ergonomic design** together with the **highest quality and efficiency nozzles** (High transfer), make a more attractive and versatile spray gun with an excellent value for money offering a **wide range of solutions** for different painting applications:



- Bodyshop (3300 GTO TECH/HVLP)
- Industry/Wood (3300 GTO EVO/EPA)
- Decoration (3300 GTO EPA)

The **New 3300 GTO** is launched with the highest SAGOLA manufacturing standards, competitive prices whilst maintaining a superb service and offering the **best warrantee (3 years)**. All this with **strict compliance with the most demanding standards** of manufacture and emissions of solvents, with EPA and HVLP systems.

VERSIONS and AIRCAPS



3300 GTO CAR Version

	Box code	Version	Application	Regulator	
BODYSHOP FINISHES	10141550	1.20 [TECH]	Special bodyshop. Maximum performance and gloss with clearcoats and HS & MS single stage	 AIR FLOW REGULATOR WITH PRESSURE GAUGE RC2 (standard on these versions)	 GTOCAR Version includes RC2
	10141551	1.30 [TECH]			
	10141552	1.40 [TECH]			
	10141553	1.20 [HVLP]	Special colour. Maximum uniformity in waterborne basecoat. Maximum saving		
	10141554	1.30 [HVLP]			

3300 GTO Version

	Box code	Case code	Version	Application	
INDUSTRY	10141555	10141575	1.40 [HVLP]	Finishes and primers	Max. saving Min. mist
	10141556	10141576	1.60 [HVLP]		
	10141557	10141577	1.80 [HVLP]	Primer and fillers	
	10141559	10141587	1.30 [EVO]	High speed of application. Maximum spray quality	
	10141560	10141588	1.40 [EVO]		
	10141561	10141589	1.60 [EVO]		
INDUSTRY WOOD and DECO	10141562	10141578	1.40 [EPA]	Min. air consumption with great finishes Finishes, primers and fillers	
	10141563	10141579	1.60 [EPA]		
	10141564	10141580	1.80 [EPA]		
	10141572	10141585	2.20 [64S]	High viscosity products Waterborne solvent for wood	
	10141574	10141586	2.80 [62S]		

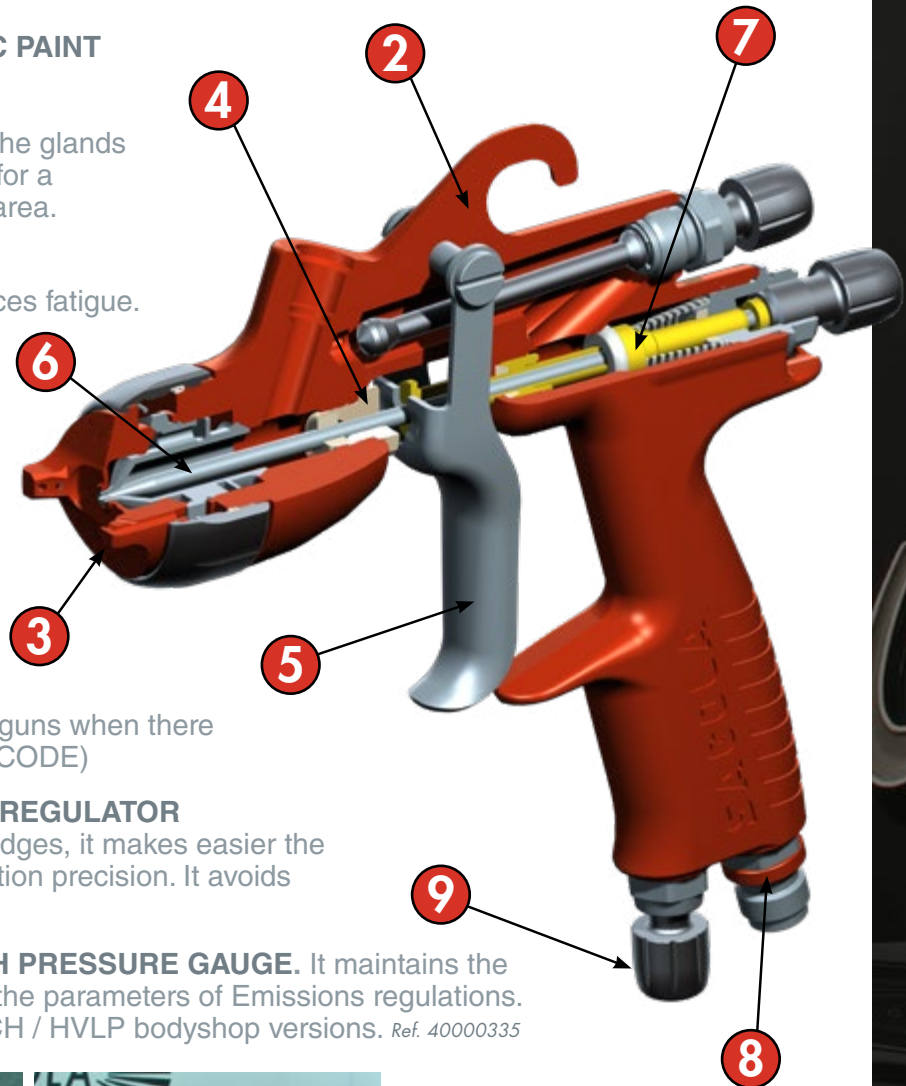
TECHNICAL ADVANTAGES

- 1 SUPER LIGHT TECHNOLOGY -METAL TO METAL-**
Without sealing gaskets between components.
- 2 BODY in highly resistant ANODIZED FORGED ALUMINIUM.**
REGISTER DC 924667-0004 DESIGN REGISTER
- 3 NEW ALUMINIUM AIRCAPS.**
GTO TECH / GTO HVLP / 3300 EPA / 3300 EVO
Ultra-fine atomization and larger fans.
Designed for the best response at any pressure. With mechanized aerodynamic caps which eliminate turbulence and reverse painting.
- 4 One single piece AUTOMATIC PAINT PACKING GLAND.**
Unique in the market. It avoids manipulation and breakage of the glands and makes easier to remove it for a thorough cleaning of the paint area.
- 5 ERGONOMIC TRIGGER.**
Made of stainless steel. It reduces fatigue.
- 6 NOZZLE AND NEEDLE**
Made of stainless steel.
- 7 SINGLE SHAFT SYSTEM**
Directly continuing Xtreme model series with a simplified design, synchronized performance in any kind of situation, fewer parts, and maintenance reduction.
- 8 NEW COLOUR IDENTIFIER**
Perfect for differentiation spray guns when there are multiple painters. (COLOR CODE)
- 9 HIGH-PRECISION AIR FLOW REGULATOR**
Modern design without sharp edges, it makes easier the cleaning process. Better regulation precision. It avoids working loose unwittingly.
- 10 AIR FLOW REGULATOR WITH PRESSURE GAUGE.** It maintains the working pressure according to the parameters of Emissions regulations. (Green scale). Standard in TECH / HVLP bodyshop versions. *Ref. 40000335*

3300

GTO

**MINIMUM MAINTENANCE
MAXIMUM DURABILITY**



SAGOLA

3300

GTO

THE NEW 3300 GTO SPRAYGUN



BODYSHOP

- HS/MS CLEARCOATS
- SINGLE STAGE
- WATERBORNE
- METALLICS
- SILVER/PEARL

INDUSTRY/WOOD

- DYES
- LACQUER CLEARCOATS
- ENAMELS
- WATERBORNE SOLVENTS
- FONDS/FILLERS
- PRIMERS



VERSATILITY: WIDE RANGE OF SOLUTIONS DESIGN, FINISHING, ERGONOMICS

- At the forefront of **ergonomics**, **balance** and **comfort** when painting.
- **LIGHT** but **ROBUST** body, maintaining the construction in aluminium and stainless steel in all its pieces, giving it maximum **robustness** and **minimum maintenance**.
- **EASY AND SMOOTH USE**.
- **ANODIZED HIGH RESISTANCE** with **ANTI-CORROSIVE PROTECTION**.

Easier for cleaning and maintenance process.

LOW PAINT CONSUMPTION

- **Multiple nozzles**: to fit each need, offering the **highest performance** and **lowest air consumption** in their category.

All of them comply with **the most demanding solvent emission standards** (65-75% of product transfer).

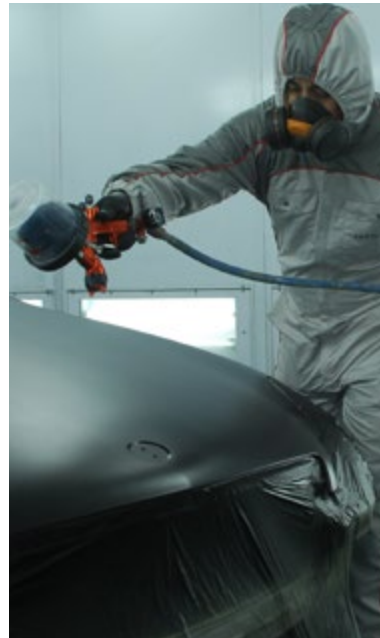
- **HVLP aircaps** with maximum savings and minimum mist.
- **TECH aircaps** with maximum performance regarding time and ease of application. (Special bodyshop)
- **EVO aircaps**. Speed and efficiency in industry.
- **EPA aircaps**. Minimum air consumption. Maximum performance.
- **64S/62S aircaps**. Special high viscosity.



FUNCTIONAL ADVANTAGES

Everything in the **3300 GTO** gun is designed to offer the **highest durability** and **reduce maintenance**, with a careful selection of materials looking for the **balance between lightness and sturdiness**.

- **SINGLE SHAFT SYSTEM** Directly continuing Xtreme model series with a simplified design, synchronized performance in any kind of situation, fewer parts, and maintenance reduction.
- **NO JOINTS BETWEEN AIR AND PAINT** Without joints that can be manipulated when disassembling for cleaning in the paint area.
- **NO PNEUMATIC JOINTS** Mechanical air closures over unalterable dilations caused by cleaning solvents materials.
- **AUTOMATIC PAINT PACKING GLAND** Perfect fit to the needle in all circumstances. Lower risk of needle damage. Less paint contamination. Ease of complete disassembly of the product area for cleaning.



TECHNICAL DATA

- **Weight without cup:** 423 g.
- **Dimensions with cup:** 34.5 x 10 x 18 cm.
- **Needle and nozzle made of stainless steel**
- **Air inlet coupling:** 1/4"
- **Minimum product transfer:** 65% / 75%
- **Maximum inlet working pressure:** 2 bar
- **Cup capacity:** 650 ml.
- **Deposit with removable anti-drip system**
- **Air consumption:**

GTO TECH: 290 L/min	GTO HVLP: 360 L/min
3300 EPA: 240 L/min	3300 EVO: 320 L/min
- **Fan size:**

GTO TECH: 290-300 mm	GTO HVLP: 290-300 mm
3300 EPA: 250 mm	3300 EVO: 280 mm
- **Application distance:**

GTO TECH: 18-20 cm	GTO HVLP: 12-15 cm
3300 EPA: max. 18 cm	3300 EVO: max. 18 cm

REGULATIONS / PATENTS / REGISTRIES

- All SAGOLA products meet the strictest **safety standards** for the manufacturing of painting equipment. SAGOLA products comply with **EC regulations** and all the **ATEX standards**.
- To **protect itself against copies and counterfeits**, SAGOLA **register** the **shape of its guns** and, naturally, registers its **trademark worldwide**.

REGULATIONS

- CE
- EN 1953
- ATEX  II 2 GX
- SQMDA 1151
- SQMDA 1136

SAGOLA GUARANTEE

SAGOLA offers a **3-year guarantee** for its entire product range that covers any design or manufacturing defect in its products. Any defect in its design will be repaired or replaced free of charge to the client.



SPARE PARTS SERVICE GUARANTEE

SAGOLA is synonymous with quality and service. For this reason SAGOLA offers comprehensive **guarantee of the service of components and spare parts** for the perfect maintenance of all its products, even those sold over 10 years ago.

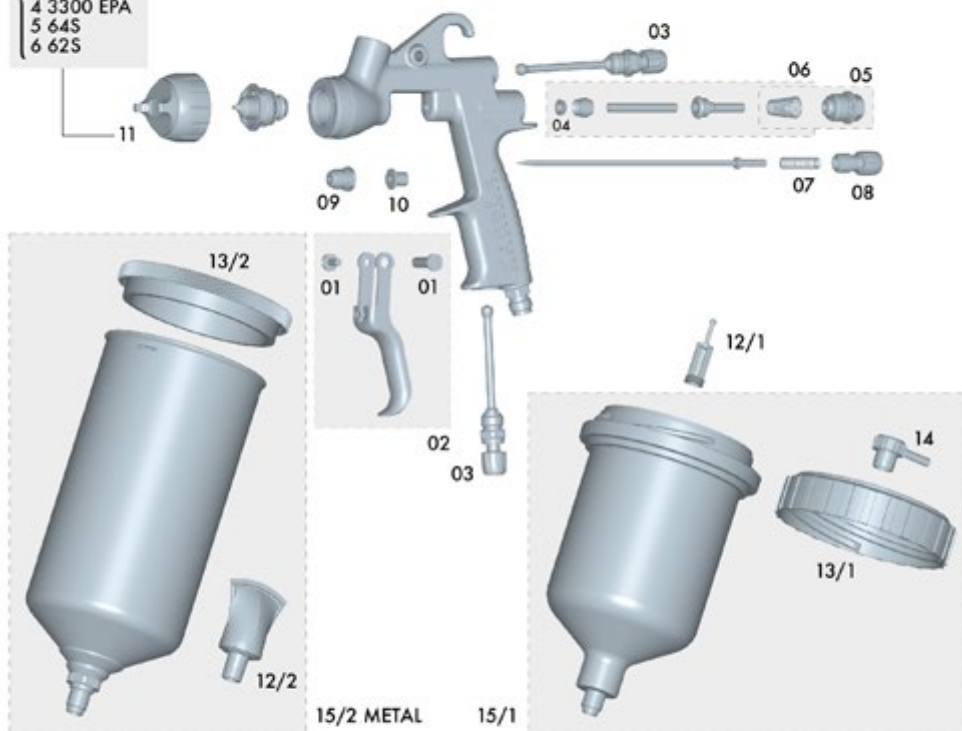


línea **3300 GTO** Gravedad

(*) Mín. 5 uds.

ed. 01

- 1 TECH
- 2 GTO HVLP
- 3 EVO
- 4 3300 EPA
- 5 645
- 6 62S



- 1 (ø 1.20)
- 2 (ø 1.30)
- 3 (ø 1.40)
- 4 (ø 1.60)
- 5 (ø 1.80)
- 6 (ø 2.00)
- 7 (ø 2.20)
- 8 (ø 2.80)

Nº	Cod.	U.	Nº	Cod.	U.	Nº	Cod.	U.	Nº	Cod.	U.	Nº	Cod.	U.
01	56418429	1	08	57810342	1	11/5	56418646	1	15/1	56418005	1	16/6	10011188	1
02	56418637	1	09	57212211	1	11/6	56418647	1	15/2	56418002	1	16/7	10011192	5
03	56418254	2	10	51910608	1	12/1	56418438	1	16/1	10011160	1	16/8	10011190	1
04	56418494	1	11/1	56418551	1	12/2	56418003	1	16/2	10011191	1			
05	56418701	1	11/2	56418552	1	13/1	57111508	1	16/3	10011181	1			
06	56418644	1	11/3	56418558	1	13/2	57111513	1	16/4	10011182	1			
07	54710275	1	11/4	56418645	1	14	55712157	1	16/5	10011183	1			

• Este dibujo no es la lista de materiales
 • This drawing is not the bill of materials
 • Ce schéma n'est pas la liste de matériaux

• Diese Zeichnung ist nicht die Stückliste
 • Este desenho não é a lista de materiais
 • Questo disegno non è la distinta base

Made in **SPAIN**

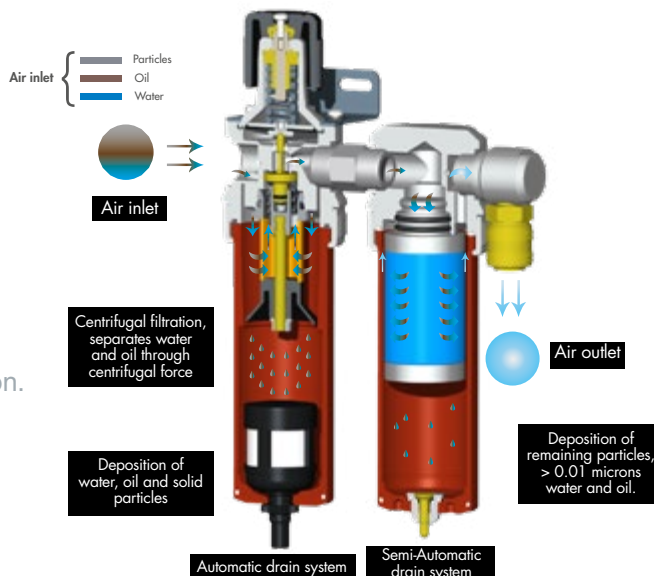
ACCESSORIES and COMPLEMENTS

REMEMBER, always use
original SAGOLA
spare parts

in order to guarantee the proper
operation of your painting equipment.

4000 SERIES AIR FILTERS

Extremely smooth operation, maximum precision. Fast release, instant decrease in pressure. Air-assisted regulator. Constant and regular air supply. Aluminium bodies. CNC mechanisation. Totally robust. Unattended evacuation of liquids and impurities.



PACK6000X AIR HEATER

Temperature stability both in compressed air and in final painting elements, hose and spray gun. Reduces drying times. Electronic temperature control.

PACK
6000X
Ref. 10780102



FILTER
4120 PLUS
Ref. 10730502



FILTER
4220 PLUS
Ref. 10750402



COUPLINGS FOR DISPOSABLE DEPOSITS. "PPS" TYPES

- Ref. 55711607 Coupling 3M PPS
- Ref. 55711617 Coupling MIPA-CARWOX
- Ref. 55711609 Coupling GERSON-NORTON
- Ref. 55711610 Coupling FLEXI-CUP
- Ref. 55711619 Coupling DEVLBISS-DEKUPS
- Ref. 55711621 Coupling SATA RPS
- Ref. 55711623 Coupling COLAD

FLOW REGULATOR WITH PRESSURE GAUGE RC2



Ref. 40000335

FACE MASK 4240. Breathing equipment including: face mask, belt, active coal filter, preset regulator, 10m of hose + safety sockets, 1.5 m of hose and outlet for spray gun.



Ref. 15830101

CLASSIC MP2 and MP300

Face mask with paint filter. For organic vapours and solvents. Approval: FBC - 9086 A



Ref. 14810201 (MP2)
Ref. 14810301 (MP300)

Classic MP2 MP300

Approval: 89/686/CEE (EPI)



AIR HOSES. Antistatic and anti-adherent hose. Great flexibility and lightness. Clamping fittings for maximum safety. Inside diameter of 8mm, enough for any model of spray gun.
Ref. 56414024 (6 m.) / 56414025 (11 m.)

QUICK COUPLING. Made of brass and steel, seal and safe closure. Available in safety and aluminum version (ultra-light). Handle made of composite. High flow. Maximum resistance to attrition and pull.



CLEANING KIT. Complet cleaning set.



Ref. 40000086

LUBRICANT GREASE



Ref. 56418589

OOO
OOO
M
M

SAGOLA 

SAGOLA S.A. will refuse any responsibility for the damage of defects caused by spray guns with a similar appearance to the originals. These guns are imitations that **HAVE NOT BEEN MANUFACTURED BY SAGOLA, S.A.** The SAGOLA S.A. products are exclusively sold through our distributors, with spare parts and a 3-year worldwide guarantee against design and/or manufacturing defects.

ISO CERTIFICATION



SAGOLA S.A. has always displayed the quality of its products with pride, but lately, in view of its ever more demanding clients, it has obtained certifications that vouch for the guarantee of its know-how and its impeccable organisational quality.

SAGOLA, S.A.

Urartea, 6
01010 Vitoria - Gasteiz
(Álava) SPAIN
Tel.: (+34) 945 214 150
Fax: (+34) 945 214 147
sagola@sagola.com
www.sagola.com

SAGOLA MEXICO

Calle 2. Nº 5C. Bodega 6
Parque Ind. Benito Juárez
76120 Santiago de Querétaro
(QUERÉTARO) MEXICO
Tel.: (+52) 442 388 5099
sagolamexico@sagolamexico.mx
www.sagolamexico.mx

MADE IN
SPAIN

